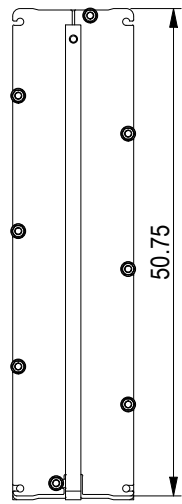
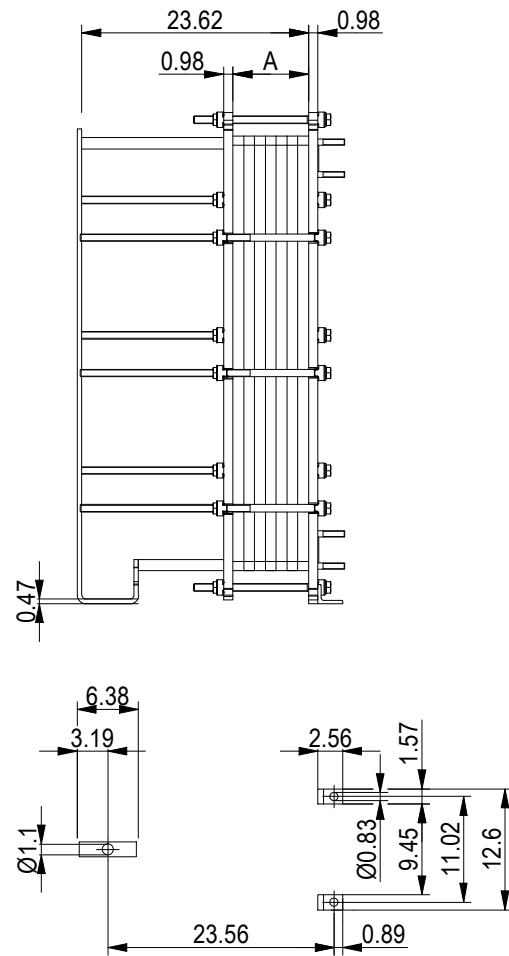


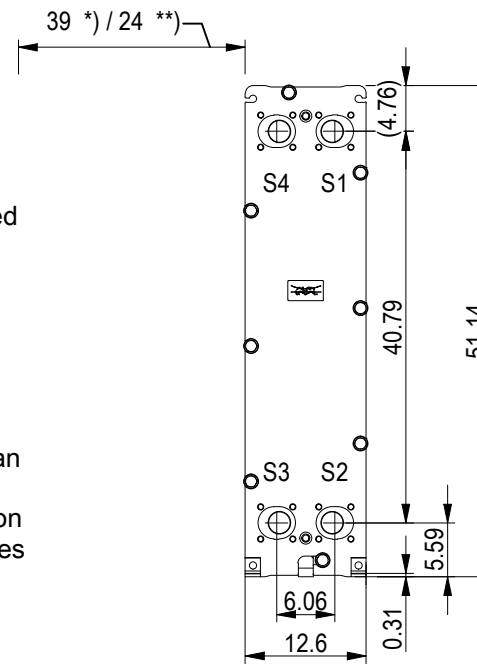
**PRESSURE PLATE**  
(MOVABLE)



Space between pressure plate and supporting column should be kept free from fixed installations!

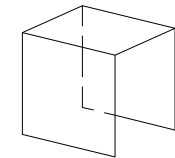
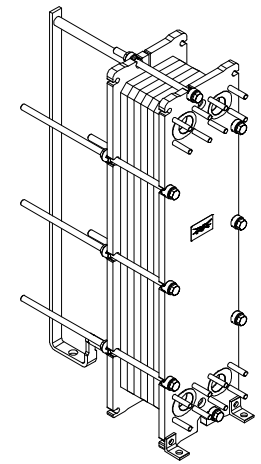


**FRAME PLATE**

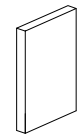


\*) Recommended free space for opening and closing to be applied on both sides

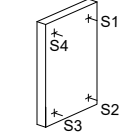
\*\*) Free space can be reduced to this distance on one of the sides



PROTECTION SHEET

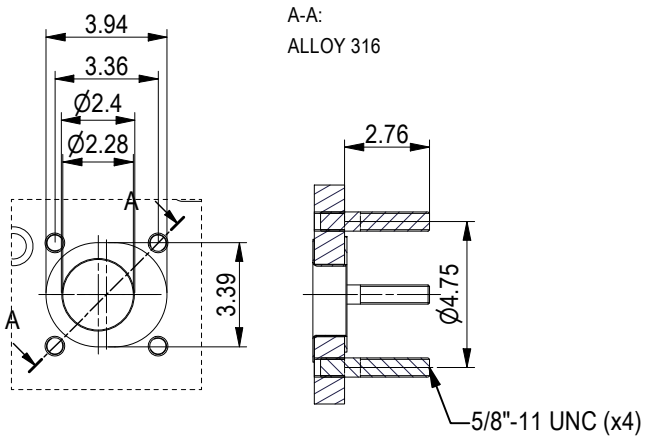


PRESSURE PLATE



FRAME PLATE

ASME B16.5 Class 150 NPS 2  
S1, S2, S3, S4



TIGHTENING BOLTS 6 x M20, L = 18.9 in  
2 x M20, L = 13.0 in

APPROX. OUTER DIMENSIONS  
LENGTH 28.7 in  
WIDTH 13.0 in  
HEIGHT 51.6 in  
APPROX. WEIGHTS  
NET WEIGHT, EMPTY 546 lb  
WEIGHT FULL OF WATER 601 lb  
PLATE MATERIAL ALLOY 316  
PLATE THICKNESS 0.5 mm  
GASKET NBRP Clip-on

All dimensions in inches

HEAT EXCHANGED		3,970 kBtu/h		NO. OF UNITS		1		DESIGN PRESSURE		DESIGN TEMPERATURE		TEST	OPERATING
SIDE	MEDIA	INLET	TEMP.	OUTLET	TEMP.	FLOW RATE	PRES. DROP	MAX.	MIN.	MAX.	MIN.	PRESSURE	MAX. TEMP.
1		S1		S2				150 psi	0 psi	266 °F	32.0 °F	195 psi	
2		S3		S4				150 psi	0 psi	266 °F	32.0 °F	195 psi	

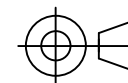


www.alfalaval.com

DRAWING  
GASKETED PLATE HEAT EXCHANGER  
**TL6-BFG**

ASME  
Code Section VIII Div.1

MAWP 150 psi at 266 °F  
MDMT 32.0 °F at 150 psi  
Designed and constructed in accordance with the 2019 ASME Code.



TL6B 60 PL

Do not use this drawing for foundation bolting or piping layout

DATE 5/24/21  
REVISION 0